



# DERAY®-MC 225 DERAY®-MC 225 KT

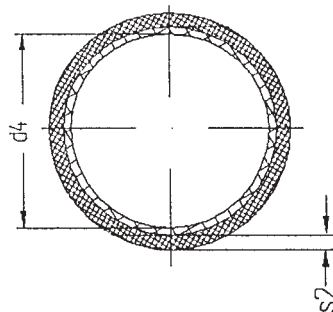
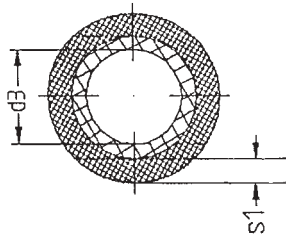
-40° to +135° C  
-40° to +100° C KT

Medium-walled  
Heat-shrinkable sleeve  
Modified polyethylene  
Radiation crosslinked  
Without/with adhesive (KT)

**Only a secure protection can guarantee contact. DERAY-MC 225** is always in demand when outstanding mechanical, electrical and thermal properties are called for. The version with an adhesive gives very good protection against humidity and environmental influences, e.g. when cables are installed.

Ordering size without adhesive	Diameter as supplied d4 min. mm	Diameter fully recovered d3 max. appr. mm	Wall thickness fully recovered S1 appr. mm without adhesive	Weight max. g/m	Delivery units in lengths of 1,22 m with/without adhesive m
10/4	10.2	3.8	2.0	18	12.2
19/6	19.1	5.6	2.0	44	12.2
28/10	27.9	10.2	2.0	90	12.2
38/12	38.1	12.7	2.0	126	12.2
52/19	52.1	19.1	2.0	162	12.2
70/25	69.9	25.4	2.0	243	6.1
89/30	88.9	30.0	2.4	339	6.1

Standard colour				
0 = black				



Remarks:  
- larger sizes on request  
- Cut lengths – printed on request – with a surcharge  
- Available with adhesive (please indicate KT when ordering)  
- VG approval for the version without adhesive  
- Certifications available with a surcharge  
- Technical data pages 44-45  
Subject to alteration.

### Safety warning:

For work involving electric tensions of more than 48 V, insulating, connecting, repairing, and waterproofing electrical components should only be carried out by qualified electricians.

