

DERAY®-IC 300 DERAY®-IC 300 KT

-40° to +135° C
-40° to +100° C KT

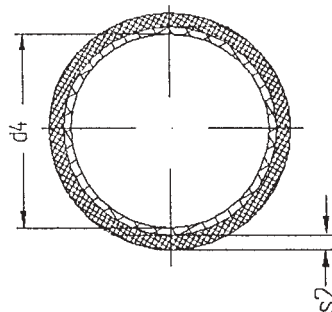
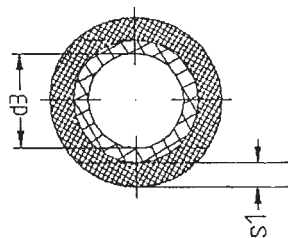
Rigid
Thick-walled
Heat-shrinkable sleeve
Modified polyethylene
Radiation crosslinked
Without/with adhesive (KT)

Won't leave you standing in the wet this we can guarantee.

This thick-walled, non-meltable, extremely weather resistant shrink tube has an outstanding shrinking ratio. The sleeve is characterized by extraordinary resistance to mechanical, thermal and electrical loads. The version with adhesive is especially suitable for moisture resistant insulation of cable connections both on the surface and below ground.

Ordering size		Diameter as supplied d4 min. mm	Diameter fully recovered d3 max. appr. mm	Wall thickness fully recovered S1 appr. mm without adhesive	Weight max. g/m	Delivery units in lengths of 1,22 m with/without adhesive m
without adhesive	with adhesive					
9/3	9/3 KT	8.9	3.0	1.8	44	12.2
13/4	13/4 KT	13.0	4.1	2.4	67	12.2
19/6	19/6 KT	19.1	6.1	2.4	94	12.2
28/9	30/8 KT	27.9	8.9	3.0	168	12.2
38/12	38/12 KT	38.1	11.9	4.1	263	12.2
51/16	51/15 KT	50.8	16.0	4.1	403	6.1
68/22	68/22 KT	68.1	22.1	4.1	498	6.1

Standard colour				
0 = black				



Remarks:
 - larger sizes on request
 - Cut lengths - printed on request - with a surcharge
 - Available with adhesive (please indicate KT when ordering)
 - Certifications available with a surcharge
 - Technical data pages 44-45
 Subject to alteration.

Safety warning:

For work involving electric tensions of more than 48 V, insulating, connecting, repairing, and water-proofing electrical components should only be carried out by qualified electricians.

